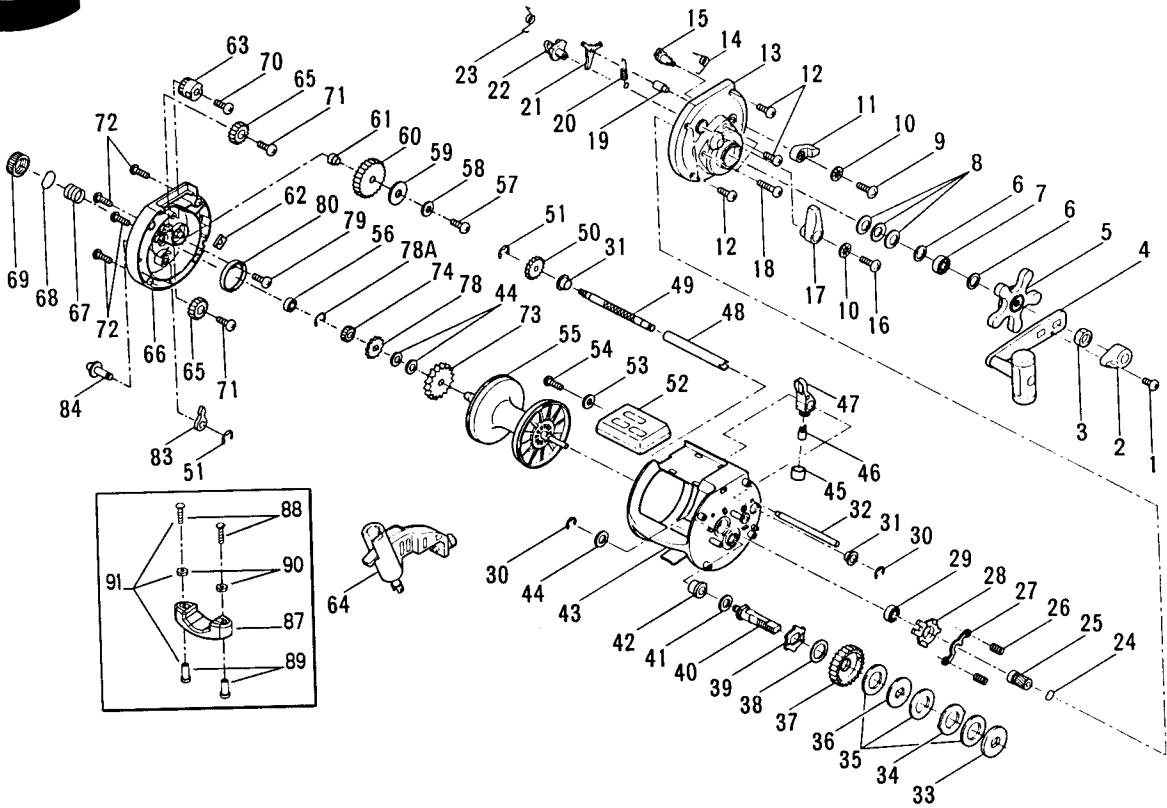




## PARTS AND PRICE LIST FOR MODEL 895LC



Key No.	Part No.	Description	Price	Key No.	Part No.	Description	Price
1	32-875	Handle Lock Screw	\$.50	44	98C-895	Spacing Washer (3)	\$6.00
2	110A-895	Handle Nut Cap	.90	45	48-875	Pawl Cover Screw	1.00
3	23-895	Handle Nut	1.00	46	47-875	Pawl	3.00
4	24-895	Handle Assembly	8.25	47	46-875	Line Guide	4.15
5	10-895	Drag Star Assembly	3.10	48	50-895	Worm Shaft Shield	2.00
6	9-895	Spacing Washer (2)	.50	49	42-895	Worm Shaft	5.00
7	26-895	R.S. Plate Bearing	8.00	50	45-895	Worm Gear	3.00
8	8A-895	Disc Spring (3)	.50	51	42B-875	Retaining Ring (2)	.50
9	22-895	Eccentric Screw	.50	*52	303-895	Control Box Asm. (Feet)	65.00
10	22A-875	Eccentric Washer (2)	.50	*52	303-895M	Control Box Asm. (Metric)	65.00
11	21A-895	Direct Drive Lever	1.50	53	304-895	Flat Washer	.50
12	39A-895	Mounting Screw (3)	.45	54	305-895	Control Box Screw	.40
13	1-895	R.S. Plate	5.00	55	29L-895	Spool Assembly	17.00
14	104-895	Direct Drive Spring	.40	56	55A-875	L.S. Spool Bearing	8.00
15	19C-895	Direct Drive Eccentric	.90	57	39B-875	Mounting Screw	.40
16	22-895	Eccentric Screw	.50	58	304A-875	Flat Washer	.50
17	21-895	Eccentric Lever	1.50	59	64A-895	Idler Spacer	.50
18	39B-895	Mounting Screw	.45	60	64-895	Idler Gear	2.50
19	158-895	Ratchet Dog Pin	.60	61	64B-895	Idler Gear Bushing	.90
20	14-895	Ratchet Dog Spring	.80	62	96-875	Line Storage Clip	.60
21	15-895	Ratchet Dog	1.50	63	306-875	Control Box Gear	3.00
22	19-895	Eccentric	4.50	64	302-875	Bogey Wheel Assembly	20.00
23	20-895	Eccentric Spring	.50	65	306A-895	Idler Gear (2)	1.00
24	40-895	Thrust Washer	.50	66	27-895	L.S. Plate	6.50
25	13-895	Pinion Gear Assembly	9.00	67	41-875	L.S. Bearing Spring	.70
26	18-875	Clutch Spring (2)	.50	68	41C-875	Thrust Washer	.40
27	12-895	Pinion Yoke	1.35	69	40A-875	L.S. Bearing Cap	1.50
28	11-895	Eccentric Jack	4.50	70	39C-895	Mounting Screw	.40
29	55-895	R.S. Spool Bearing	8.00	71	63B-875	Mounting Screw (2)	.50
30	98D-895	Retaining Ring (2)	.40	72	39-895	Mounting Screw (4)	.40
31	43-895	Worm Bearing (2)	.90	73	66A-895	Spool Gear A	4.00
32	58-895	Line Guide Post	2.00	74	66B-895	Spool Gear B	1.30
33	86-895	Metal Drag Washer	1.05	78	81-895	Click Ratchet	1.00
34	7-895	Ear Drag Washer	.80	78A	67-875	Retaining Ring	.40
35	6-895	Drag Washer HT-100 (3)	.80	79	63A-875	Mounting Screw	.40
36	86A-895	Metal Drag Washer	1.05	80	62-875	Click Spring	2.00
37	5-895	Main Gear	10.00	83	35-875	Click Tongue	1.00
38	4-895	Fibre Washer	.80	84	36-895	Click Button	3.00
39	98R-895	Ratchet Assembly	4.50	87	330113	Rod Clamp	4.00
40	98S-895	Gear Stud	8.00	88	34-45	Clamp Screws (2)	.90
41	98A-895	Gear Stud Washer	.60	89	149-45	Rod Clamp Nuts (2)	.90
42	98B-895	Gear Stud Bearing	1.15	90	149-200	Hex Nuts (2)	.40
43	183-895	Frame Assembly	17.00	91	34C-45	Rod Clamp Screw w/Nuts	2.20